



Description

SP: galvanised steel frame th. 10/10, aluminium blade with gasket th. 7/10 mm, stub shaft Ø 6 mm, anti-tip nylon bearings. Suitable for speeds up to 5 m/s; for higher speeds, we recommend the version with conjugated blades.

SP50 D/S: pitch 50 mm

SP100 D/S: pitch 100 mm

SP...D: EXHAUST

SP...S: INLET

SP100K: like SP100 but with frame for duct assembly

Available execution (see page 11)

- Intermediate dimensions (larger sizes) or special flanges (list price +€52)
- In AISI 304 stainless steel (list price x2)
- In AISI 316 stainless steel (list price x3)
- Version entirely in aluminium (list price x1.5)
- Continuous solid shaft, Nylon, Teflon or Bronze bearings (see page 11)
- Anti-tip device (list price +15%)
- Circular lightweight or heavy version also available

SP 100 KVH: like SPK100K but with Ø 12 shafts, conjugated blades + adjustable counterweight outside the flow, mounted on the height side (list price x3)

SP...SR: inlet version with mesh (list price +30%)

ATEX execution: II 2G Ex h IIB/IIC T1...T6Gb

II 2D Ex h IIIC T 450°C...T 85°C Db (list price +40% +€120 each)

All prices are list prices for local market, for a quotation please contact us.

SP50D/S price list

| H/L | 200 | 300 | 400 | 500 | 600 | 700 | 800 | 900 | 1000 |
|------|-----|-----|-----|-----|-----|-----|-----|-----|------|
| 150 | 50 | 55 | 59 | 64 | 69 | 73 | 78 | 123 | 128 |
| 250 | 60 | 66 | 72 | 78 | 84 | 91 | 97 | 150 | 156 |
| 350 | 69 | 77 | 84 | 92 | 100 | 108 | 116 | 176 | 185 |
| 450 | 78 | 88 | 97 | 107 | 116 | 125 | 134 | 203 | 213 |
| 550 | 88 | 99 | 110 | 121 | 131 | 143 | 153 | 230 | 241 |
| 650 | 97 | 110 | 122 | 135 | 147 | 160 | 172 | 256 | 269 |
| 750 | 107 | 121 | 135 | 149 | 163 | 177 | 191 | 283 | 297 |
| 850 | 116 | 132 | 147 | 163 | 178 | 194 | 210 | 309 | 325 |
| 950 | 125 | 143 | 160 | 177 | 194 | 212 | 229 | 336 | 354 |
| 1050 | 135 | 154 | 173 | 191 | 210 | 229 | 248 | 363 | 382 |

SP100D/S price list

| H/L | 500 | 600 | 800 | 1000 | 1200 | 1400 | 1600 | 1800 |
|------|-----|-----|-----|------|------|------|------|------|
| 250 | 84 | 91 | 106 | 120 | 134 | 196 | 210 | 223 |
| 350 | 96 | 104 | 120 | 136 | 151 | 223 | 238 | 253 |
| 450 | 108 | 116 | 134 | 151 | 168 | 249 | 266 | 283 |
| 550 | 119 | 129 | 148 | 167 | 186 | 276 | 294 | 312 |
| 650 | 131 | 142 | 162 | 183 | 203 | 303 | 323 | 342 |
| 750 | 143 | 154 | 177 | 199 | 220 | 330 | 351 | 372 |
| 850 | 155 | 167 | 191 | 214 | 237 | 357 | 379 | 402 |
| 950 | 167 | 180 | 205 | 230 | 254 | 384 | 408 | 431 |
| 1050 | 179 | 192 | 219 | 246 | 272 | 410 | 436 | 461 |
| 1150 | 191 | 205 | 233 | 261 | 289 | 437 | 464 | 491 |
| 1250 | 202 | 217 | 247 | 277 | 306 | 464 | 492 | 521 |
| 1350 | 215 | 230 | 262 | 293 | 323 | 491 | 520 | 551 |
| 1450 | 226 | 243 | 275 | 308 | 340 | 518 | 549 | 581 |
| 1550 | 239 | 256 | 290 | 324 | 357 | 544 | 577 | 610 |

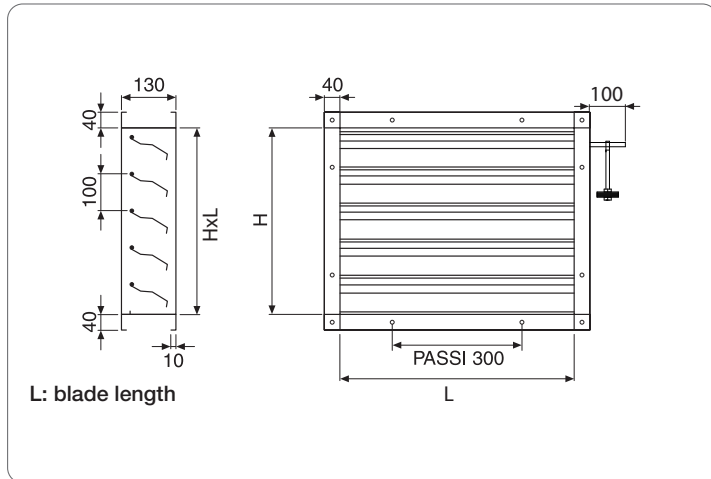
With conjugated blades H + 50 mm

SP100K price list

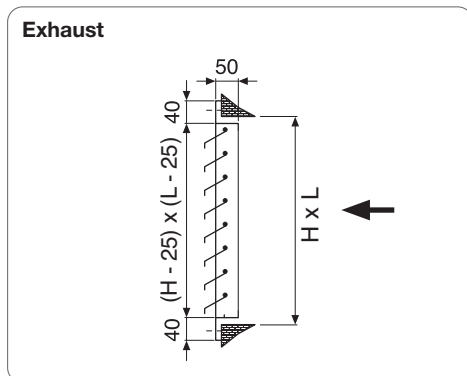
| H/L | 400 | 600 | 800 | 1000 | 1200 | 1400 | 1600 | 1800 | 2000 |
|------|-----|-----|-----|------|------|------|------|------|------|
| 210 | 75 | 91 | 107 | 124 | 140 | 186 | 201 | 215 | 230 |
| 310 | 88 | 105 | 123 | 141 | 158 | 215 | 231 | 248 | 265 |
| 410 | 101 | 120 | 139 | 158 | 177 | 244 | 263 | 281 | 300 |
| 510 | 114 | 134 | 154 | 175 | 196 | 273 | 293 | 314 | 335 |
| 610 | 127 | 148 | 170 | 192 | 214 | 302 | 324 | 347 | 369 |
| 710 | 140 | 162 | 186 | 209 | 233 | 331 | 355 | 380 | 404 |
| 810 | 153 | 177 | 202 | 226 | 251 | 360 | 386 | 413 | 439 |
| 910 | 166 | 191 | 217 | 244 | 270 | 389 | 417 | 445 | 474 |
| 1010 | 178 | 205 | 233 | 261 | 288 | 418 | 448 | 478 | 509 |
| 1110 | 191 | 220 | 249 | 278 | 307 | 447 | 479 | 511 | 543 |
| 1210 | 204 | 234 | 264 | 295 | 325 | 476 | 510 | 544 | 578 |
| 1310 | 217 | 249 | 280 | 312 | 344 | 505 | 541 | 577 | 613 |
| 1410 | 230 | 263 | 296 | 330 | 362 | 534 | 572 | 610 | 647 |
| 1510 | 243 | 277 | 312 | 347 | 381 | 563 | 603 | 642 | 682 |
| 1610 | 256 | 292 | 327 | 364 | 399 | 592 | 634 | 675 | 717 |
| 1710 | 269 | 306 | 343 | 381 | 418 | 621 | 665 | 708 | 751 |
| 1810 | 282 | 320 | 359 | 398 | 436 | 650 | 695 | 741 | 786 |

With conjugated blades H air gap = H not less than 50 mm

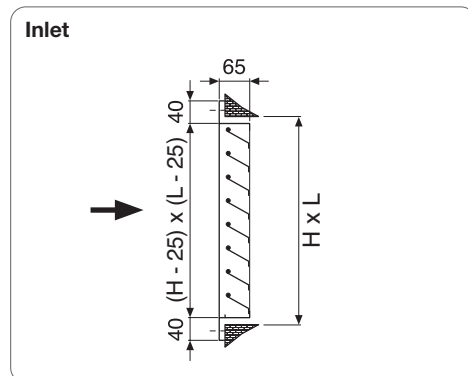
SP100K



SP50D-SP100D



SP50S-SP100S



SP50SR-SP100SR

