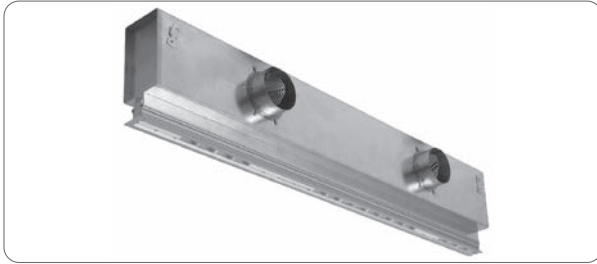


DL 35


Description

DL35: linear diffuser with slot in natural anodised aluminium

- air flow adjustable to 180° in 100mm sectors
- deflectors in antistatic plastic (black, white, grey)
- 1 to 4 slots available
- max length per element L=2000
- $\Delta T = \pm 10^\circ C$
- installation height between 2.7 / 4.5 m

DL35B: like DL35, without deflectors (list price -10%)

LT360: version with narrower edges (DL 35 price list +15%)

Accessories

PL: galvanised steel side entry plenum

S: damper on plenum entry (list price €20/each)

AF: acoustic insulation

I: external anti-condensate insulation fire-resistance class B-s2-d0

- standard fastening, plenum diffusers with brackets and screws

Special versions

- plenum in other sizes and entries

W: RAL 9010 coating (list price +20%)

VR: coating according to RAL 9005 / 9006 table fixed surcharge €30 + 20% per piece

Other RAL colours on request

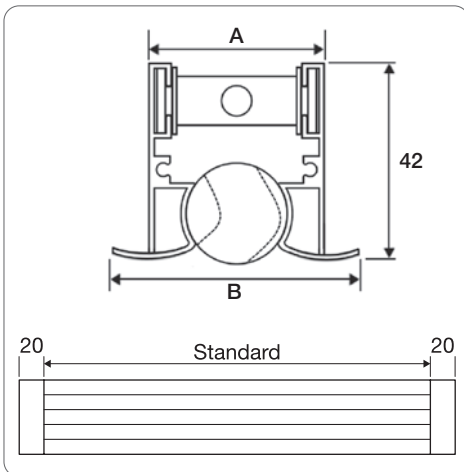
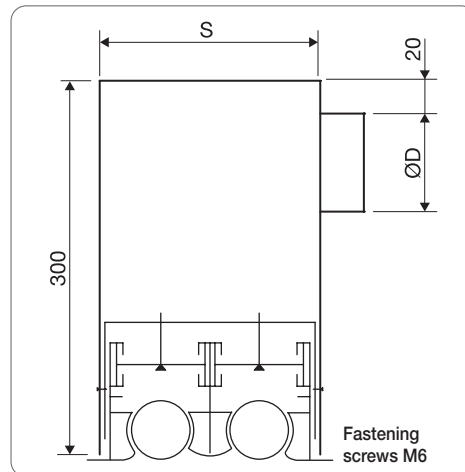
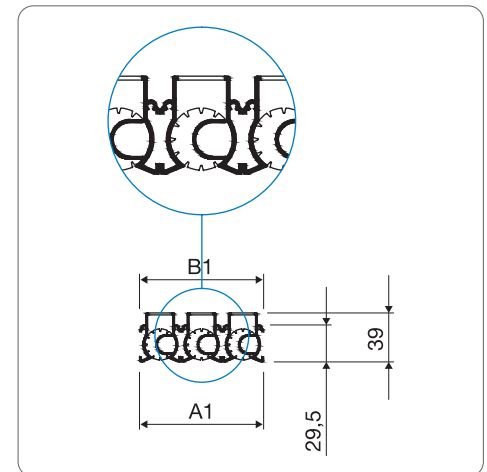
All prices are list prices for local market, for a quotation please contact us.

DL 35 price list

No. slots	DL 35 (€/m)	PL (€/m)	PLI (€/m)
1	62	54	82
2	102	56	84
3	134	58	86
4	168	62	88

DL 35 / LT 360 dimensions

No. slots	Length	Ø and no. of fittings	A	B	S	A1	B1
1	1000	100-1	39	56	43	23	33
	1500	100-2					
	2000	100-2					
2	1000	160-1	77	94	81	56	66
	1500	160-2					
	2000	160-2					
3	1000	200-1	115	132	119	89	99
	1500	200-2					
	2000	200-2					
4	1000	200-1	153	170	157	122	132
	1500	200-2					
	2000	200-2					

DL 35

PL

LT 360


Selection table for L = 1000 mm - Vt 0.2 m/s

No. slots	AK m²	Flow rate (m³/h)															
		60		80		100		150		200		250		300		400	
1	0.0062	18	3.1	26	4.4	32	5.9										
		2.2	8	3.6	18	4.5	25										
2	0.0124			11	3	18	4.1	28	7	38	9						
				1.8	5.5	2.2	7	3.3	17	4.5	30						
3	0.0186					9	3.5	20	6	30	8.5	36	11	40	13.5		
						1.5	5	2.2	7	3	13	3.7	21	4.5	30		
4	0.0248	LwA	LT					10	5.5	20	7.6	28	10	32	12	42	17
		Vk	Δp Pa					1.7	6	2.25	8	2.8	13	3.3	20	4.5	35

LwA = sound pressure level dB(A)

LT = 0.2 m/s, unidirectional Vt

Correction factor for bidirectional throw = L x 0.64

Vk = velocity in m/s

Δp Pa = pressure drop in Pascal