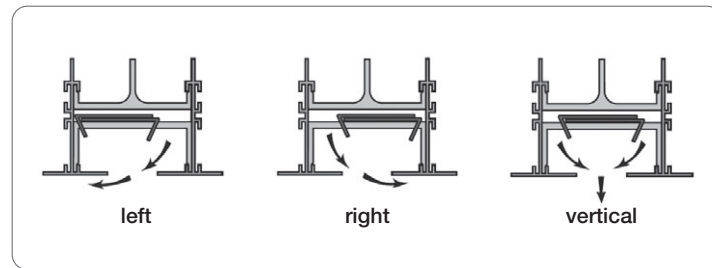
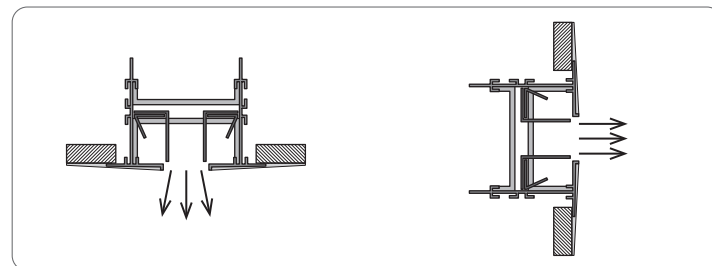


**FLH: possibility of throw from ceiling**



**FLV: vertical throw version - wall**



## Description

**FLH...BBC:** slot diffuser with special flush-fit profile, suitable for installation in plasterboard false ceilings so only the slot is visible

- made of sturdy extruded aluminium profiles with double deflectors coated in black RAL 9005 to direct and balance the air flow
- optional wall installation
- maximum length for individual piece 2000 mm with ends
- continuous version with joint and terminal profiles at the ends
- various profiles and types of fastening to meet architectural needs

**FLCMB:** fastening bracket from the room

- optional rounded version

**FLH 05** slot 15 mm

**FLH 10** slot 25 mm

**FLH 15** slot 38 mm

**FLH 20** slot 51 mm

**FLH 30** slot 76 mm

**FLV...BBC:** like FLH but for long throws both wall and ceiling

## Accessories

**PL:** side entry plenum

**PT:** plenum with rear entry

**I:** external anti-condensate insulation reaction to fire class B-s2-d0

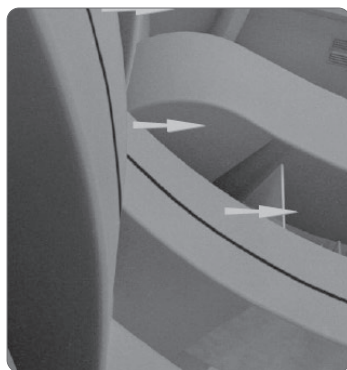
**S:** damper on plenum entry

**TA:** acoustic louver

- corner pieces

- suspension and closure systems

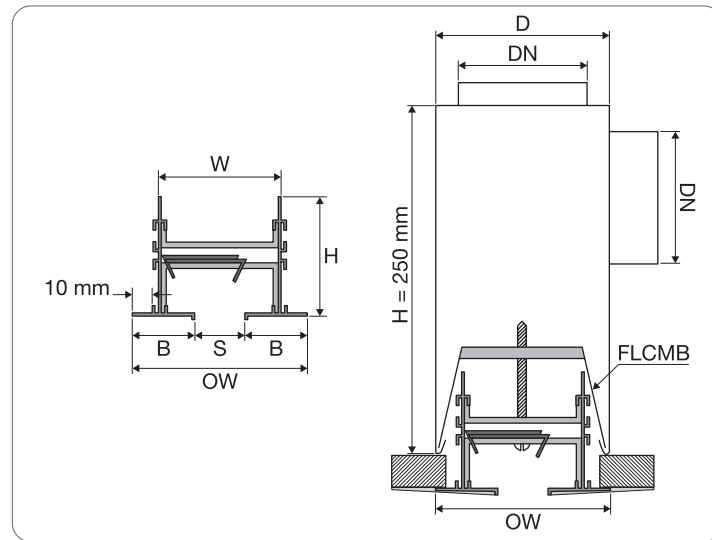
Option to customise the fastenings and plenum heights



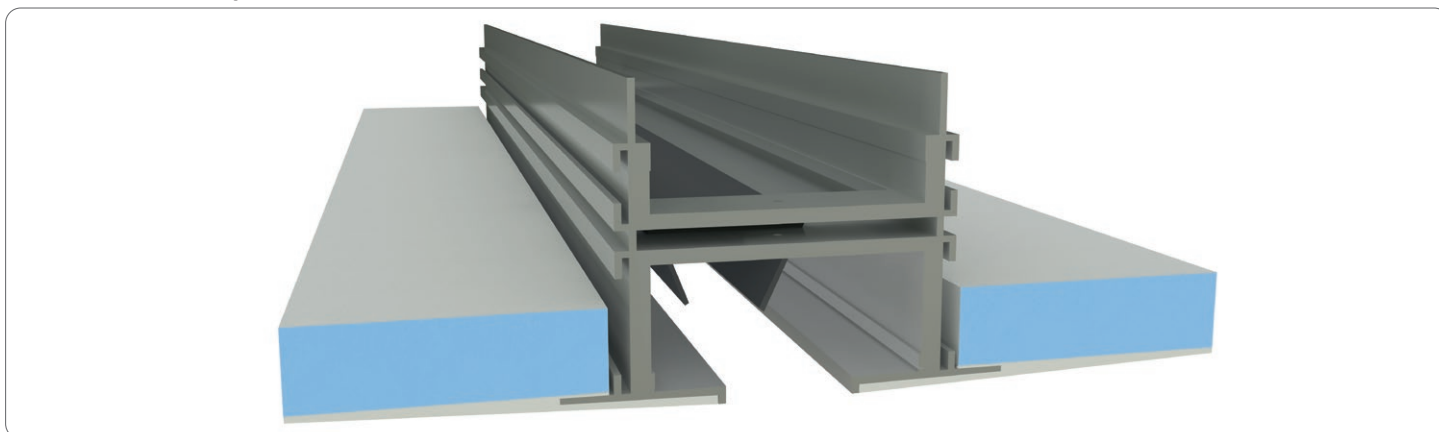
## Dimensions

TYPE	S	B	OW	W	H	D
FLH 05	15	39	93	66	67	91
FLH 10	25	39	103	76	67	101
FLH 15	38	39	116	89	67	114
FLH 20	51	39	129	102	67	127
FLH 30	76	39	154	127	67	152

## BBC flush-fit profile



## Flush-fit installation layout



## Flow rate table for L=1000 mm

Model	Slot Size / Connection	1000 mm	Flow rate m³/h		35		70		105		140		170		205		240		
			FLH 05	Slot 15 mm Connection DN 125 mm	1000 mm	Pt (Pa)	2	7	12	25	42	63	85						
Pst (Pa)	1	5				8	16	27	41	55									
NC	<15	<15				<15	15	23	31	35									
Throw (m) Vt 0.5/0.25 m/s	0,6	1,5				1,5	3,4	2,3	4,2	3,2	4,8	3,2	5,1	4	5,6	4,3	6,2		
FLH 10	Slot 25 mm Connection DN 150 mm	1000 mm	Flow rate m³/h	57	115	170	230	280	340	400									
			Pt (Pa)	2	8	16	29	45	65	87									
			Pst (Pa)	1	5	10	19	29	42	56									
			NC	<15	<15	<15	17	25	32	38									
			Throw (m) Vt 0.5/0.25 m/s	0.6	1.5	1.8	3.7	2.7	4.6	3.7	5.2	3.7	5.5	4.6	6.1	4.9	6.7		
FLH 15	Slot 38 mm Connection DN 200 mm	1000 mm	Flow rate m³/h	100	170	240	310	360	450	520									
			Pt (Pa)	4	9	19	31	51	67	94									
			Pst (Pa)	3	7	15	25	42	55	77									
			NC	<15	<15	<15	22	30	36	44									
			Throw (m) Vt 0.5/0.25 m/s	1.5	3.4	2.7	4.6	4	5.5	4.6	6.4	5.2	7	5.8	7.6	6.1	7.9		
FLH 20	Slot 51 mm Connection DN 200 mm	1000 mm	Flow rate m³/h	140	210	280	350	420	500	560									
			Pt (Pa)	4	8	10	23	34	46	60									
			Pst (Pa)	2	5	10	15	22	30	39									
			NC	<15	<15	<15	15	22	30	37									
			Throw (m) Vt 0.5/0.25 m/s	1.2	3.4	2.7	4.3	3.7	5.2	4	5.8	4.3	7	7.6	8.2	5.2	8.5		
FLH 30	Slot 76 mm Fittings 2 x DN 150 mm	1000 mm	Flow rate m³/h	280	390	500	650	700	800	900									
			Pt (Pa)	7	12	20	30	41	55	70									
			Pst (Pa)	4	8	13	19	26	35	44									
			NC	<15	<15	18	22	28	34	40									
			Throw (m) Vt 0.5/0.25 m/s	4	6.1	4.6	7.3	5.8	8.2	6.4	9.1	7	9.8	7.3	10.7	7.9	11.3		

- Key:**
- 1) data with uninsulated plenum
  - 2) throw with terminal isothermal velocity 0.5 or 0.25 m/s
  - 3) NC with ambient attenuation 10 dB
  - 4) 1-way throw, for 2-way throw consider half the flow
  - 5) data taken from tests performed in accordance with the ANSI/ASHRAE standard 70-191
  - 6) the pressure drop values to consider are: Pst (Pa)

## Suspension systems

### Type GG: flush-fit frame without frame

### Bracket HC1

The HC1 bracket can be used for "Flow Line" installation with "GG" profile

### Type AA: ceiling/wall

### Bracket WC1

The WC1 bracket can be used for "Flow Line" system with "AA" edge

### Type GG: profile without "stop"

**Typical T-BAR suspension system**

6 mm

44 mm or 41 mm

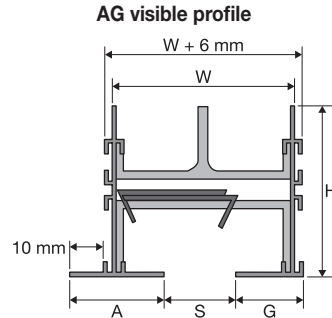
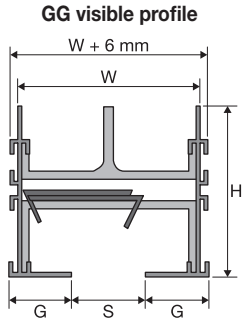
8 mm

14 mm

### Bracket TC2

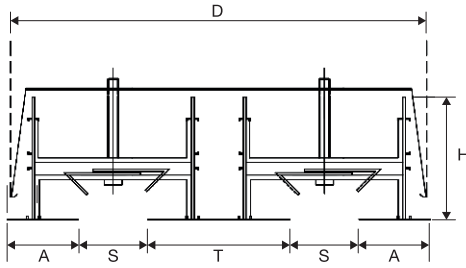
TC2 bracket for "threadline" / "Fineline T-BAR" suspension systems

## Other profiles

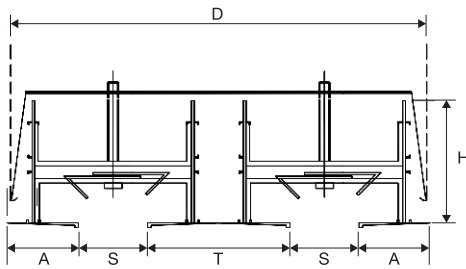


TYPE	S	W	A	G	H
FLH 10	25	64	33	22	60
FLH 15	38	89	39	29	67
FLH 20	51	114	45	35	73
FLH 30	76	165	58	48	86

### Two slots AAC profile



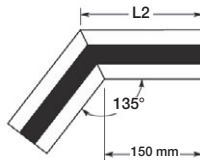
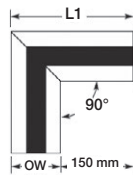
### Two slots BBC profile



TYPE	S	D	A	T	H
FLH 05	15	174	39	78	67
FLH 10	25	194	39	78	67
FLH 15	38	220	39	78	67
FLH 20	51	246	39	78	67
FLH 30	76	296	39	78	67

## Accessories

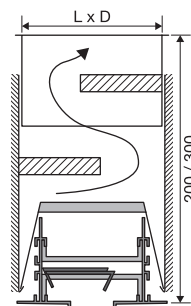
**Angles:**  
 FLMC05 = 15 mm  
 FLMC10 = 25 mm  
 FLMC15 = 38 mm  
 FLMC20 = 51 mm  
 FLMC30 = 76 mm



No. slots	Slot	Edge AA, BB	
		L1	L2
1	15	400	300
	25	400	300
	38	400	300
	51	400	300
	76	400	300

OTHER ANGLES ON REQUEST

### Acoustic louver

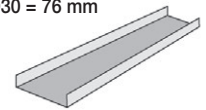


SOUND ATTENUATION								
Hz	63	125	250	500	1K	2K	4K	8K
dB	4	8	15	20	22	21	17	11

### Closures:

FLBO05 = 15 mm  
 FLBO10 = 25 mm  
 FLBO15 = 38 mm  
 FLBO20 = 51 mm  
 FLBO30 = 76 mm

Type O



### Standard end

