

TCV



Description

TCV: vertical flow exhaust roof fan, made of anti-acid polypropylene

- housing moulded in PE (polyethylene)
- PP moulded impeller (polypropylene)
- stainless steel screws

ATEX 2G ZONE 1 – 2 GD ZONE 21 – 22 execution

- housing moulded in conductive PE-EL
- impeller moulded in PP

Executions available

- other sizes
- variety of motor sizes
- various polarities

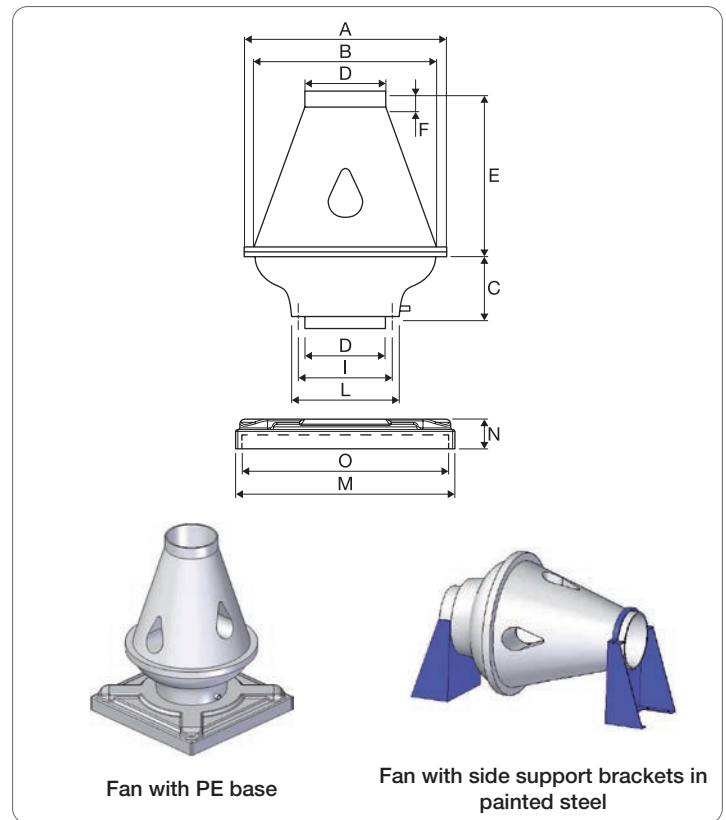
Accessories

- on-off switch, standard motor version (€75 each)
- on-off switch, Atex motor (€351 each)
- PTC/PTO/Clickson thermal protectors, standard motor version (€42 each)
- PTC/PTO/Clickson thermal protectors, Atex version (€70 each)
- cable gland on Atex motors (€54 each)

Dimensions

Size	Motor size	kW	rpm	Dimensions (mm)												Weight (Kg)	
				Installed	Rpm	A	B	C	D	E	F	I	No.	L	M	N	O
204	63	0.12	1450	400	350	145	160	420	40	200	6 M6	240	540	80	490	10	13
202	63	0.18	2850	400	350	145	160	420	40	200	6 M6	240	540	80	490	10	14
254	63	0.12	1450	500	450	185	200	460	50	230	8 M6	265	540	80	490	13	15
252	71	0.37	2850	500	450	185	200	460	50	230	8 M6	265	540	80	490	13	16
314	71	0.25	1450	600	560	240	280	600	50	325	8 M6	365	540	80	490	26	29
312	90	1.50	2850	600	560	240	280	600	50	325	8 M6	365	540	80	490	33	40
356	71	0.18	930	600	560	240	280	600	50	325	8 M6	365	540	80	490	26	29
354	71	0.37	1450	600	560	240	280	600	50	325	8 M6	365	540	80	490	26	30
352	90	2.20	2850	600	560	240	280	600	50	325	8 M6	365	540	80	490	35	42
456	80	0.37	930	800	730	280	355	700	50	405	8 M6	450	750	145	700	40	46
454	90	1.10	1450	800	730	280	355	700	50	405	8 M6	450	750	145	700	48	58

TCV



Selection table and price list

All prices are list prices for local market, for a quotation please contact us.

Size	kW	Static pressure (Pa)														Noise	Price list €					
		30	60	80	110	150	180	250	280	300	350	400	500	600	700		800	LpA dB(A)	Single-phase	Three-phase	Atex	PE*
		Flow rate (m³/h)																				
204	0.12	480	400	325	185	-	-	-	-	-	-	-	-	-	-	-	54	1335	1228	2079	182	143
202	0.18	-	-	-	955	900	850	770	700	670	640	400	-	-	-	-	67	1374	1263	2546	182	143
254	0.12	-	890	800	675	400	-	-	-	-	-	-	-	-	-	-	59	1699	1576	2455	182	143
252	0.37	-	-	-	-	-	1800	1650	1700	1600	1550	1350	1250	800	-	-	75	1762	1643	2812	182	143
314	0.25	-	-	-	1800	1750	1480	1200	760	-	-	-	-	-	-	-	58	1980	1841	3073	182	162
312	1.50	-	-	-	-	-	-	-	-	-	-	3700	3390	3400	3000	2700		2622	2412	4305	182	162
356	0.18	-	1750	1500	1350	950	-	-	-	-	-	-	-	-	-	-	58	2253	2024	3219	182	162
354	0.37	-	-	-	2600	2300	2100	2200	1600	1850	1350	-	-	-	-	-	69	2245	2075	3382	182	162
352	2.20	-	-	-	-	-	-	-	-	-	-	5200	5000	4800	4200	4350	84	2915	2566	4621	182	162
456	0.37	-	-	3300	3200	3100	2400	1500	-	-	-	-	-	-	-	-	62	3279	3018	4708	317	174
454	1.10	-	-	-	-	5200	5100	4700	4600	4400	3900	3400	3000	2100	-	-	72	3453	3227	4792	317	174

*: support base

** : side supports in sheet metal

LpA: max efficiency at 1.5 m in free field